

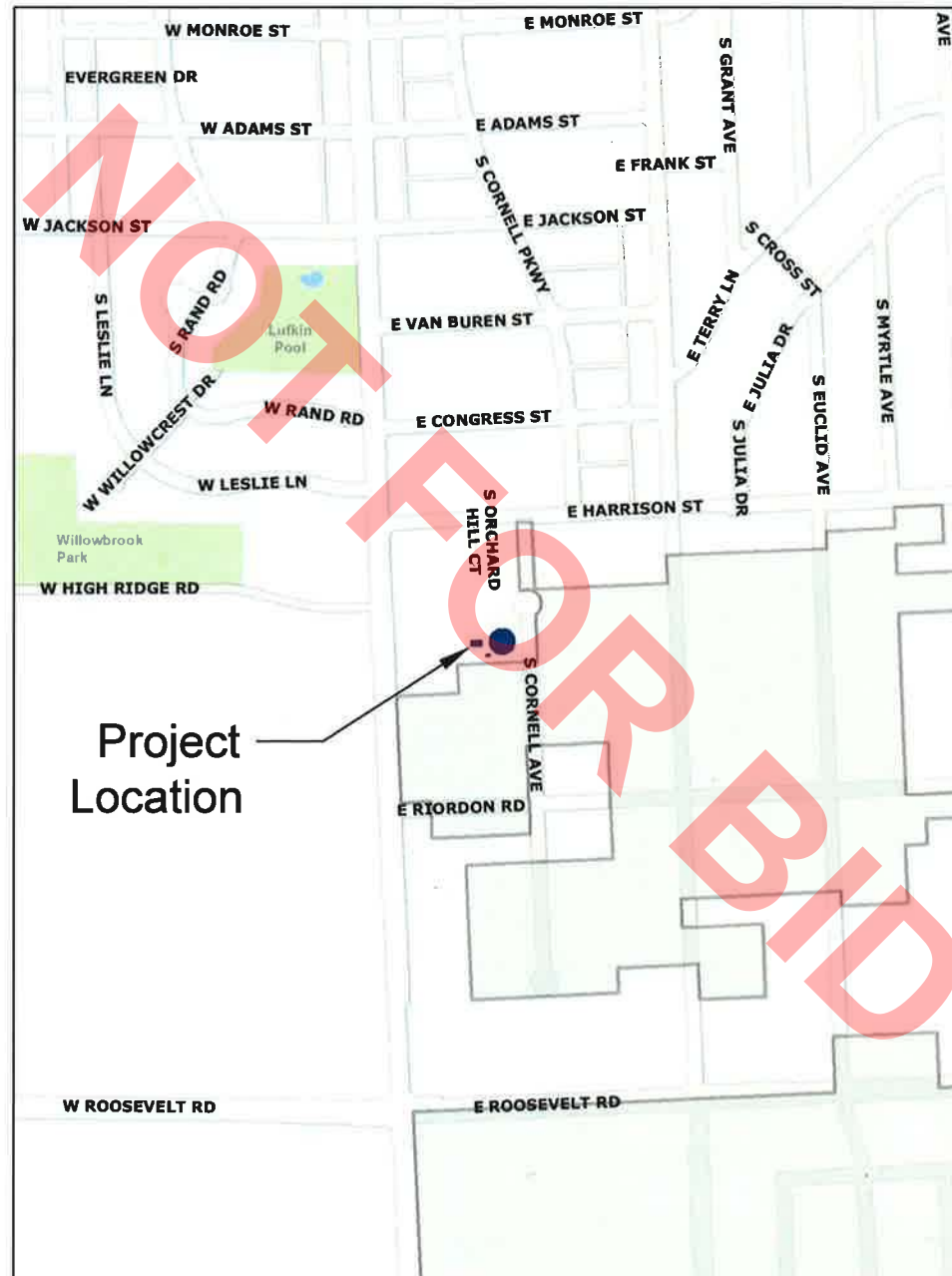
Village of Villa Park, Illinois

S Cornell Pump Station Emergency Generator Replacement

INDEX OF SHEETS

1. COVER SHEET
2. EXTERIOR DEMOLITION
3. INTERIOR DEMOLITION
4. EXTERIOR SITE PLAN
5. INTERIOR SITE PLAN
6. DETAILS

THE CONTRACTOR SHALL BE SOLELY RESPONSIBLE FOR JOBSITE SAFETY AS WELL AS SUPERVISION/DIRECTION AND MEANS/METHODS OF CONSTRUCTION.



NOT FOR BID

VILLAGE OF VILLA PARK

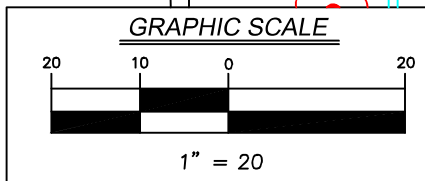
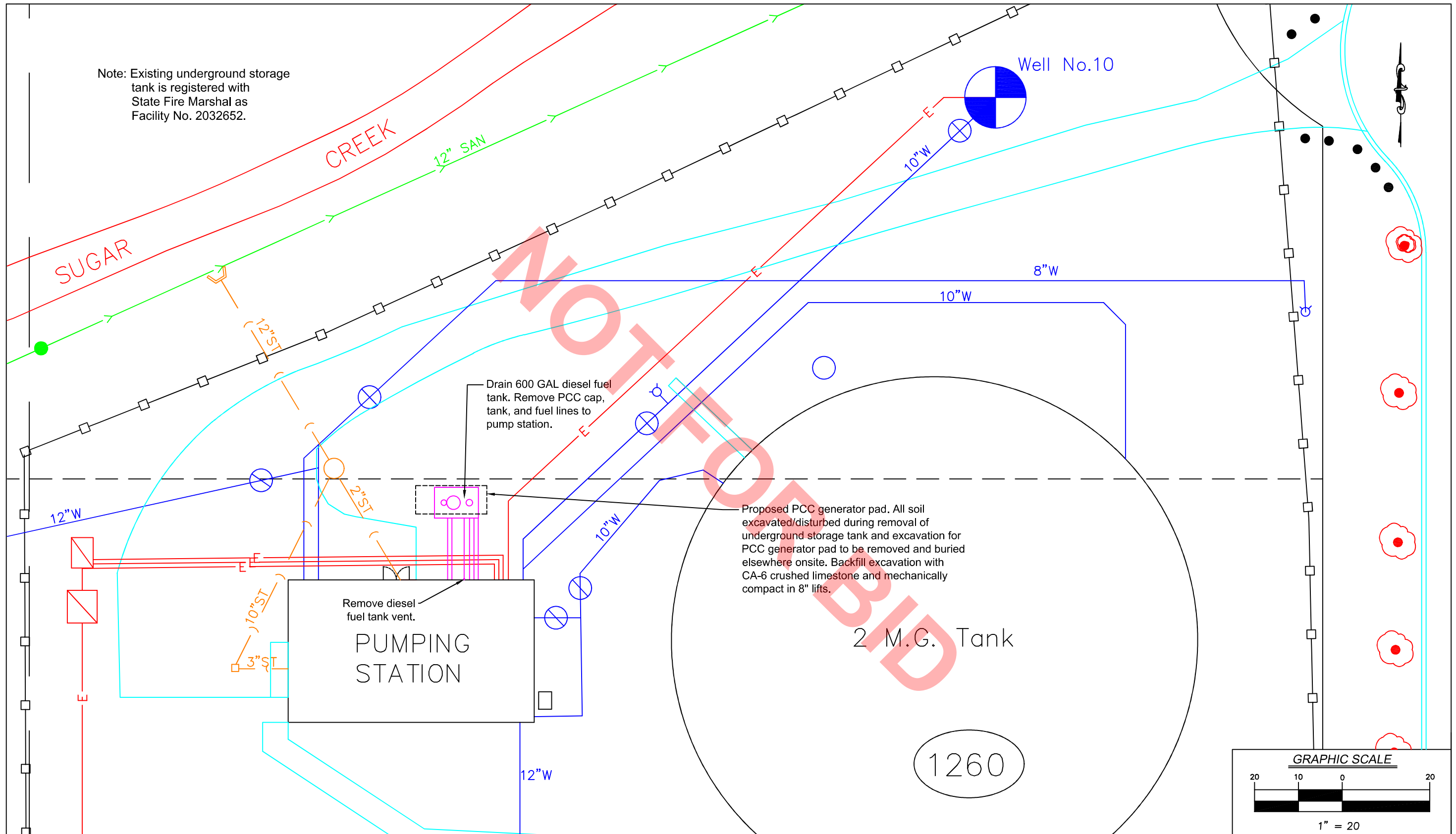
Approved:

Rich Salen
Interim Director of Public Works



VILLAGE OF VILLA PARK
20 S. Ardmore Ave.
Villa Park, IL 60181
(630)834-8505 Public Works

Note: Existing underground storage tank is registered with State Fire Marshal as Facility No. 2032652.



VILLAGE OF VILLA PARK
20 S. Ardmore Ave.
Villa Park, IL 60181

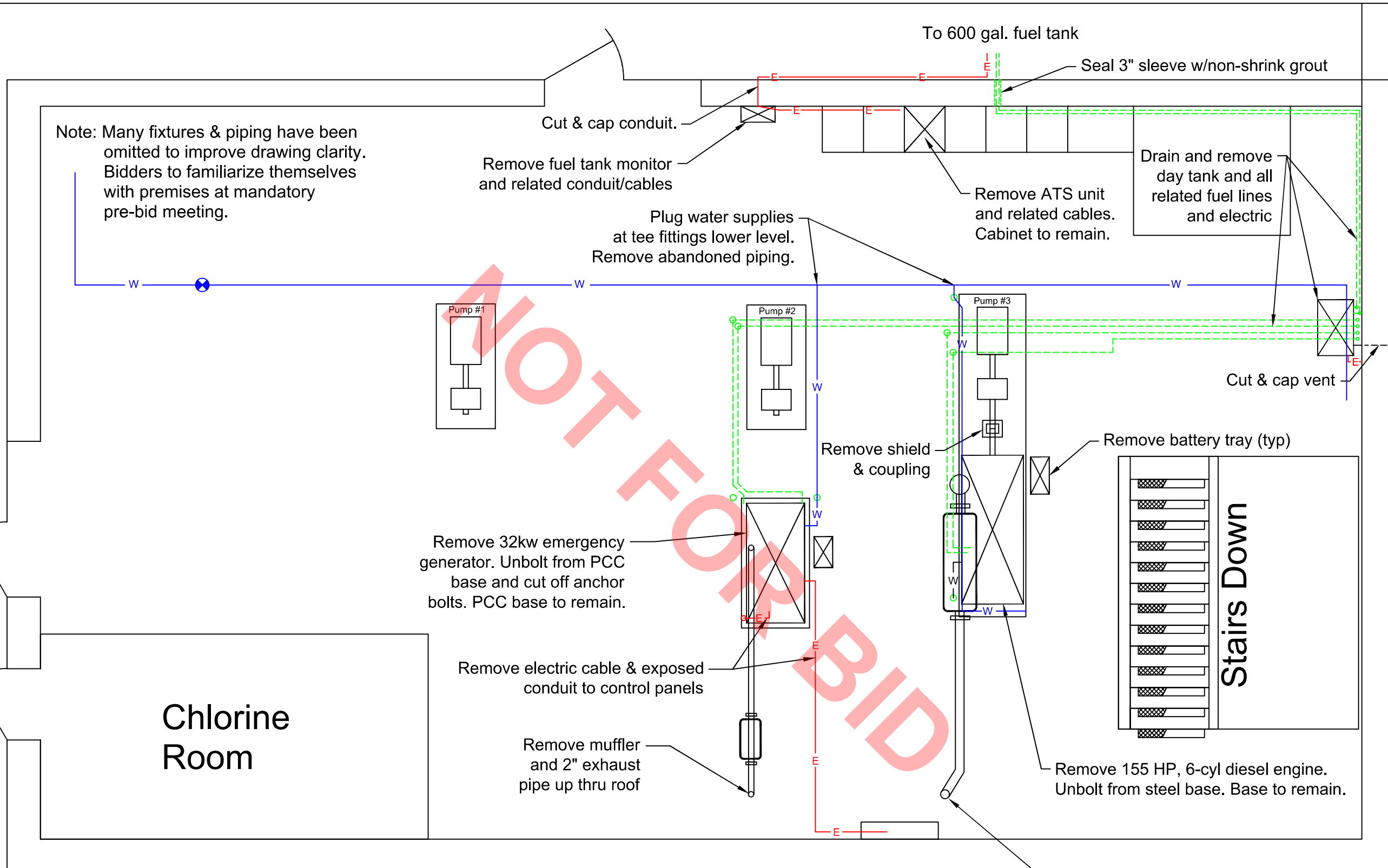
No.	Date	Nature of Revision

Scale:	1"=20'
Designed by:	
Checked by:	
Approved by:	

Title: S CORNELL PUMPING STATION
1260 S CORNELL AVE, VILLA PARK, IL
EMERGENCY GENERATOR REPLACEMENT
EXTERIOR DEMOLITION

Project No.
Date: 5/8/19
Sheet 2 of 6

Note: Many fixtures & piping have been omitted to improve drawing clarity. Bidders to familiarize themselves with premises at mandatory pre-bid meeting.



Remove fuel tank monitor and related conduit/cables

Plug water supplies at tee fittings lower level. Remove abandoned piping.

To 600 gal. fuel tank

Seal 3" sleeve w/non-shrink grout

Remove ATS unit and related cables. Cabinet to remain.

Drain and remove day tank and all related fuel lines and electric

Cut & cap vent

Remove shield & coupling

Remove battery tray (typ)

Remove 32kw emergency generator. Unbolt from PCC base and cut off anchor bolts. PCC base to remain.

Remove electric cable & exposed conduit to control panels

Remove muffler and 2" exhaust pipe up thru roof

Remove 155 HP, 6-cyl diesel engine. Unbolt from steel base. Base to remain.

Remove muffler and 4" exhaust pipe up thru roof

Chlorine Room

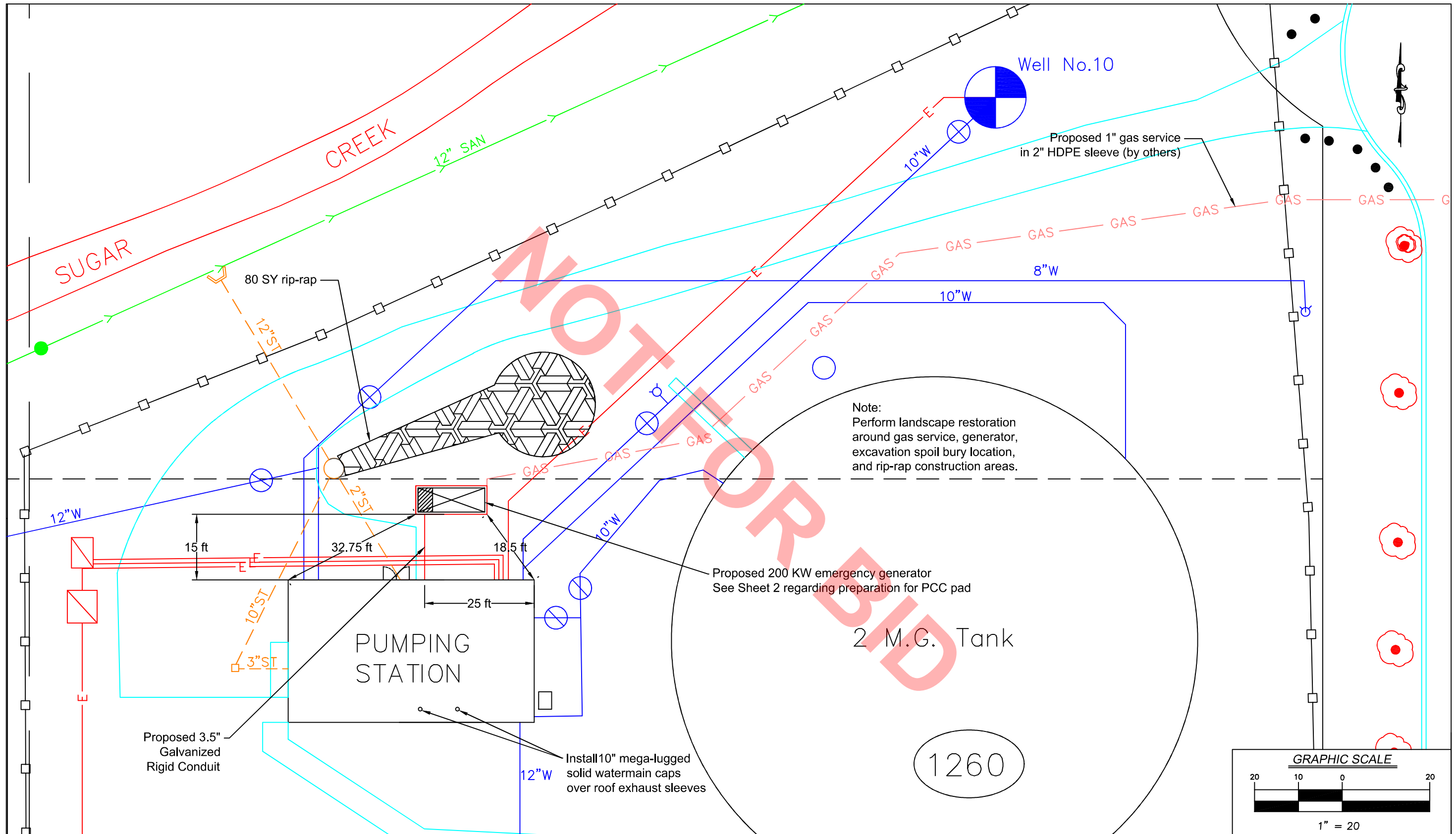
Stairs Down



VILLAGE OF VILLA PARK
20 S. Ardmore Ave.
Villa Park, IL 60181

No.	Date	Nature of Revision	Scale:		Title:
			Designed by:		S CORNELL PUMPING STATION 1260 S CORNELL AVE, VILLA PARK, IL EMERGENCY GENERATOR REPLACEMENT INTERIOR DEMOLITION
			Checked by:		
			Approved by:		

Project No.
Date: 4/24/19
Sheet 3 of 6



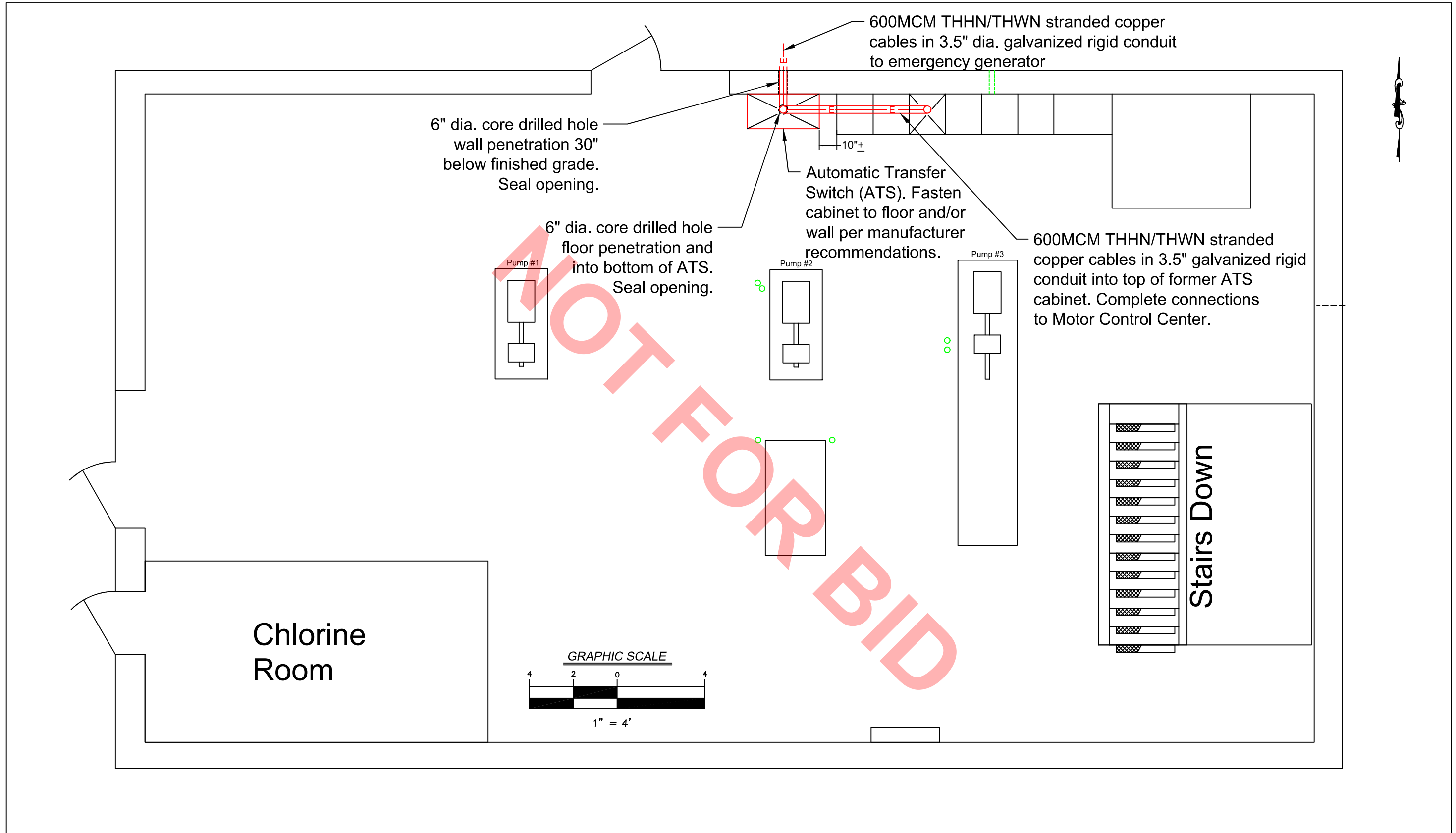
VILLAGE OF VILLA PARK
20 S. Ardmore Ave.
Villa Park, IL 60181

No.	Date	Nature of Revision

Scale:	1"=20'
Designed by:	
Checked by:	
Approved by:	

Title: **S CORNELL PUMPING STATION
1260 S CORNELL AVE, VILLA PARK, IL
EMERGENCY GENERATOR REPLACEMENT
EXTERIOR SITE PLAN**

Project No.	
Date:	5/22/19
Sheet	4 of 6

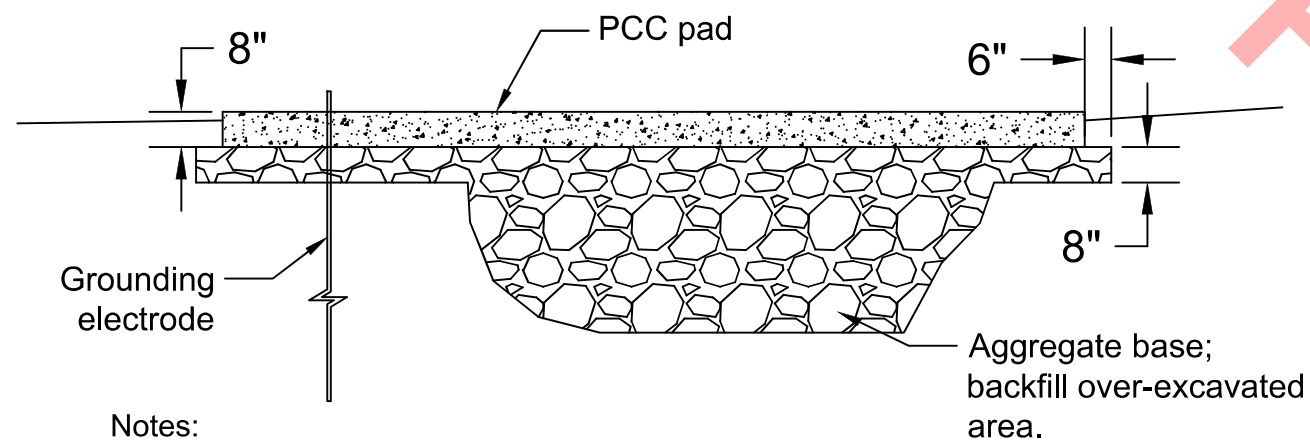
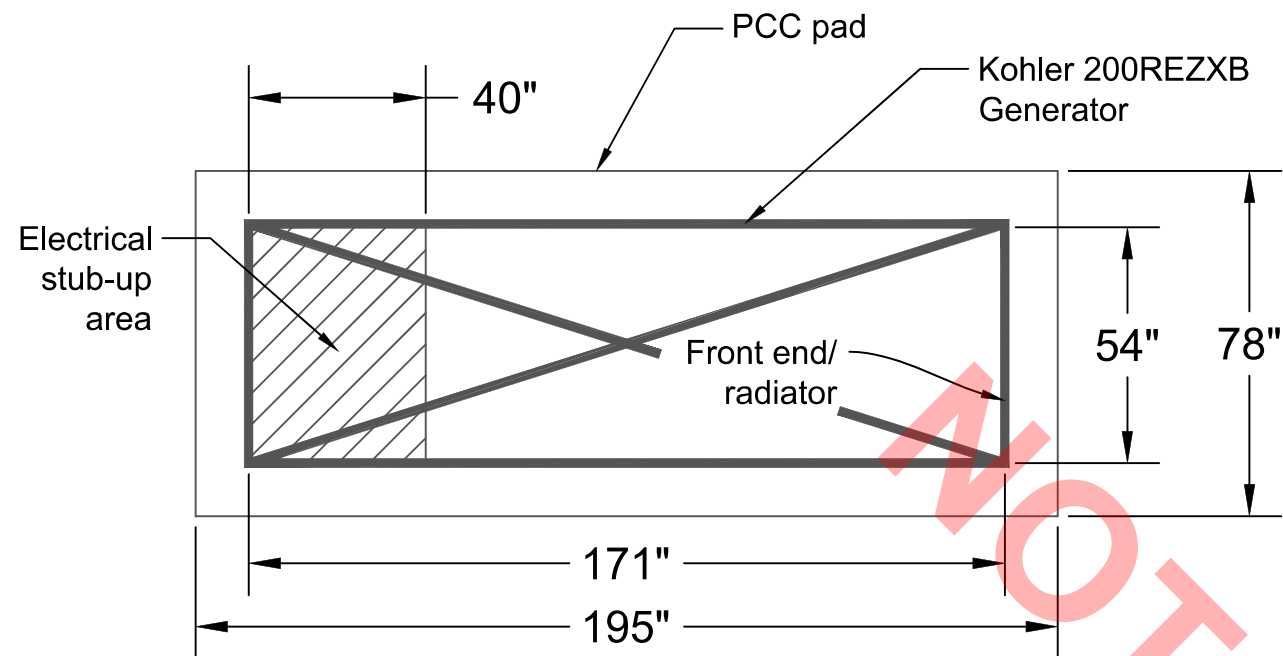


VILLAGE OF VILLA PARK
20 S. Ardmore Ave.
Villa Park, IL 60181

No.	Date	Nature of Revision	Scale:	
			Designed by:	
			Checked by:	
			Approved by:	

Title: S CORNELL PUMPING STATION
1260 S CORNELL AVE, VILLA PARK, IL
EMERGENCY GENERATOR REPLACEMENT
INTERIOR SITE PLAN

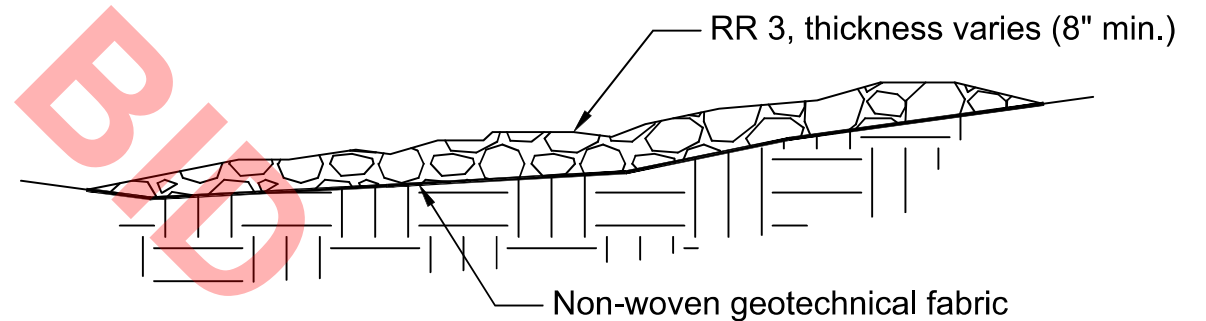
Project No.
Date: 5/01/19
Sheet 5 of 6



Notes:

1. Pad concrete to be 3000 PSI @ 28 days.
2. Hot Galvanized, 12" bent anchor bolts to be 3/4"-10. Confirm number and location of anchor bolts with generator manufacturer.
3. Grounding electrode to be 3/4" dia. x 10' long copper clad steel rod. Connect to generator base frame with #6 stranded copper wire.
4. PCC pad to be minimum 8" thick and reinforced with #5 rebar 3" from pad perimeter and at approximately 12" intervals both lengthwise and crosswise.
5. Top of pad to be level and a minimum of 2" above finished grade.

PCC GENERATOR PAD and AGGREGATE BASE



STABILIZATION AREA



VILLAGE OF VILLA PARK
20 S. Ardmore Ave.
Villa Park, IL 60181

No.	Date	Nature of Revision

Scale:	
Designed by:	
Checked by:	
Approved by:	

Title: S CORNELL PUMPING STATION
1260 S CORNELL AVE, VILLA PARK, IL
EMERGENCY GENERATOR REPLACEMENT
DETAILS

Project No.
Date: 4/24/19
Sheet 6 of 6